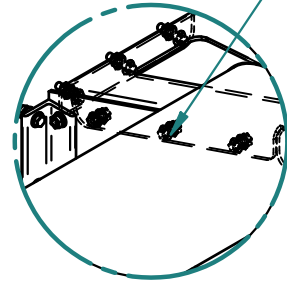
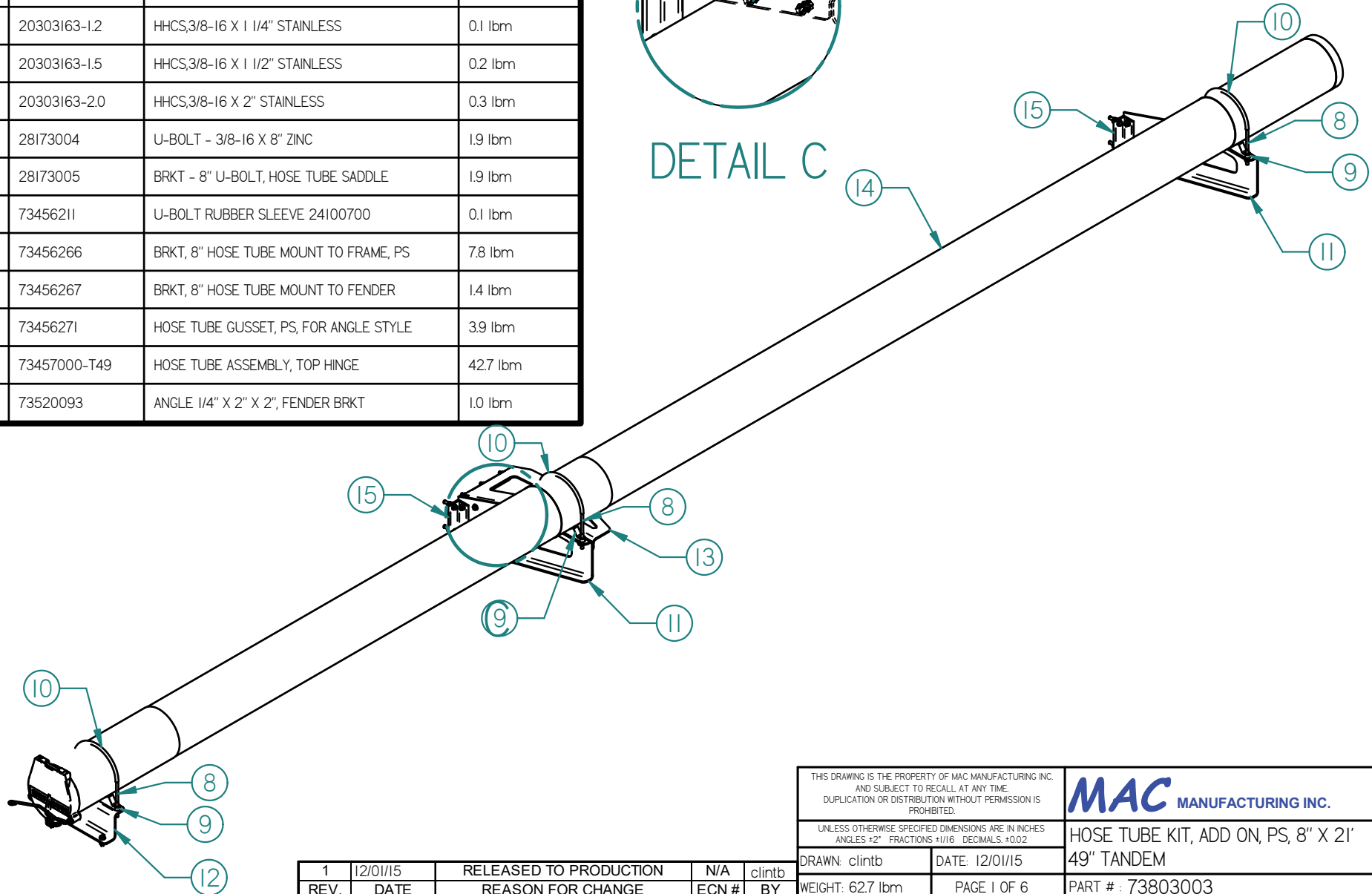


ITEM	QTY.	PART No.	DESCRIPTION	WEIGHT
1	42	20103710	WASHER, 3/8" STAINLESS	0.3 lbm
2	24	20113710	WASHER LOCK, 3/8" STAINLESS	0.2 lbm
3	24	20203763	LOCK NUT, 3/8-16 STAINLESS	0.4 lbm
4	9	20303163-1.0	HHCS,3/8-16 X 1" STAINLESS	0.5 lbm
5	2	20303163-1.2	HHCS,3/8-16 X 1 1/4" STAINLESS	0.1 lbm
6	3	20303163-1.5	HHCS,3/8-16 X 1 1/2" STAINLESS	0.2 lbm
7	4	20303163-2.0	HHCS,3/8-16 X 2" STAINLESS	0.3 lbm
8	3	28173004	U-BOLT - 3/8-16 X 8" ZINC	1.9 lbm
9	3	28173005	BRKT - 8" U-BOLT, HOSE TUBE SADDLE	1.9 lbm
10	3	73456211	U-BOLT RUBBER SLEEVE 24100700	0.1 lbm
11	2	73456266	BRKT, 8" HOSE TUBE MOUNT TO FRAME, PS	7.8 lbm
12	1	73456267	BRKT, 8" HOSE TUBE MOUNT TO FENDER	1.4 lbm
13	1	73456271	HOSE TUBE GUSSET, PS, FOR ANGLE STYLE	3.9 lbm
14	1	73457000-T49	HOSE TUBE ASSEMBLY, TOP HINGE	42.7 lbm
15	2	73520093	ANGLE 1/4" X 2" X 2", FENDER BRKT	1.0 lbm



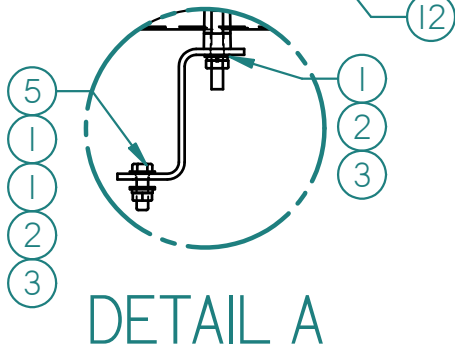
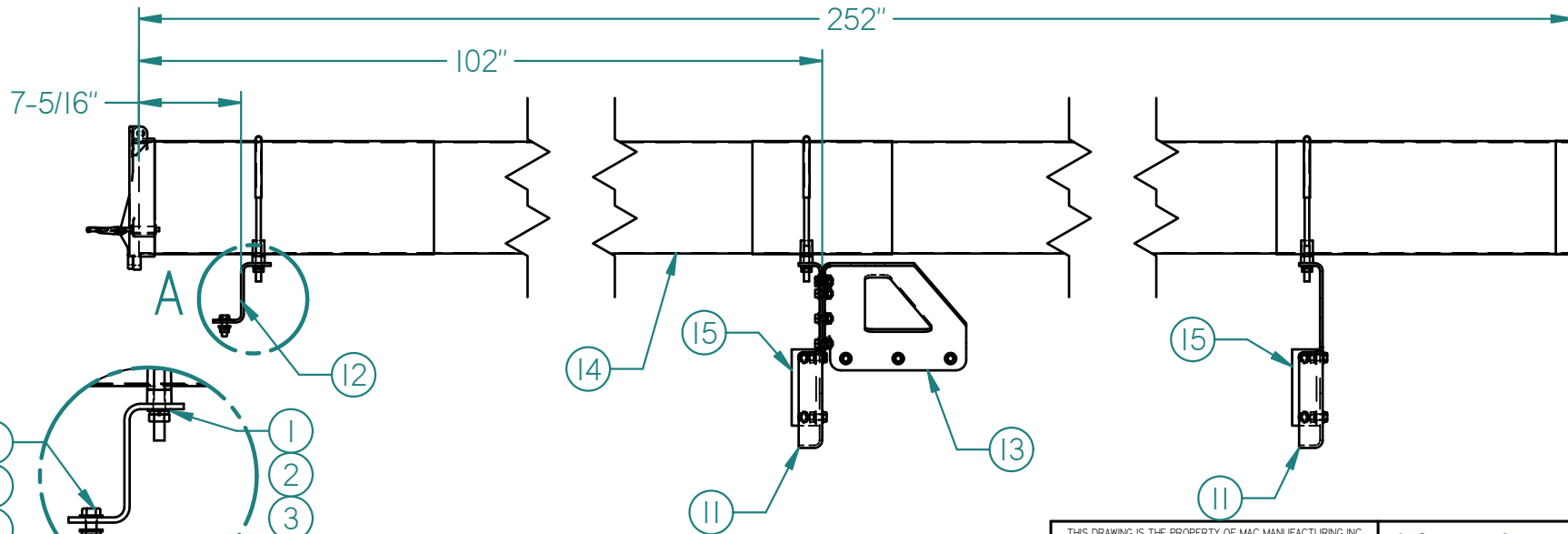
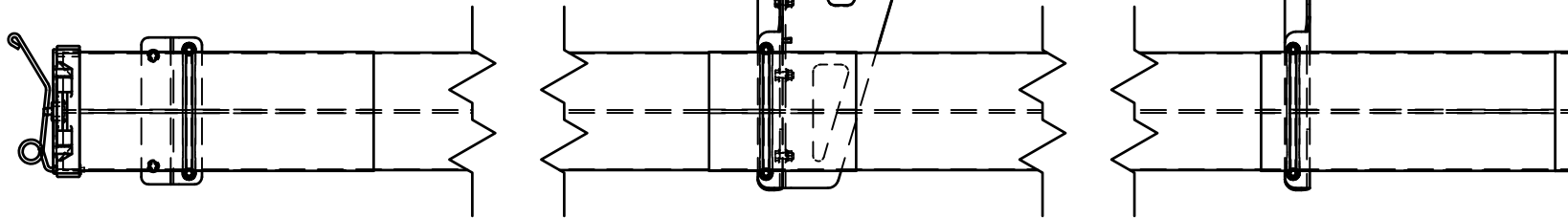
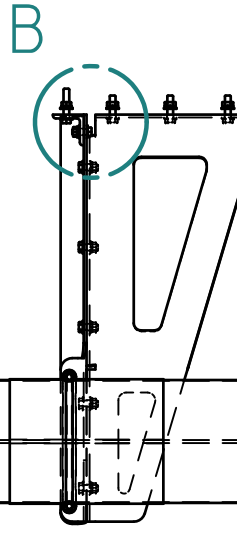
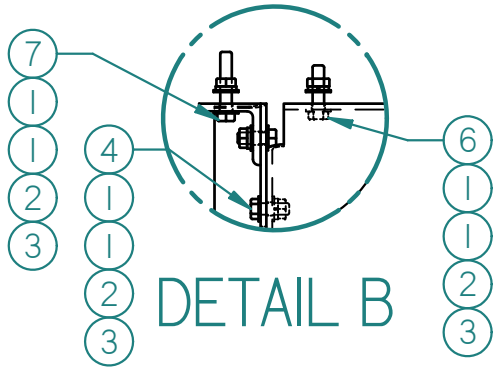
DETAIL C

USE 73456271 AS TEMPLATE TO DRILL 73456266 WITH A 7/16" BIT IN 5 LOCATIONS. BOLT TOGETHER WITH LISTED HARDWARE.



THIS DRAWING IS THE PROPERTY OF MAC MANUFACTURING INC. AND SUBJECT TO RECALL AT ANY TIME. DUPLICATION OR DISTRIBUTION WITHOUT PERMISSION IS PROHIBITED.		MAC MANUFACTURING INC.
UNLESS OTHERWISE SPECIFIED DIMENSIONS ARE IN INCHES ANGLES ±2° FRACTIONS ±1/16" DECIMALS ±0.02		
DRAWN: clintb	DATE: 12/01/15	HOSE TUBE KIT, ADD ON, PS, 8" X 21' 49" TANDEM
REV. 1	12/01/15	PART # : 73803003
REASON FOR CHANGE	ECN #	
BY		
WEIGHT: 62.7 lbm	PAGE 1 OF 6	

1	12/01/15	RELEASED TO PRODUCTION	N/A	clintb
REV.	DATE	REASON FOR CHANGE	ECN #	BY



THIS DRAWING IS THE PROPERTY OF MAC MANUFACTURING INC.
AND SUBJECT TO RECALL AT ANY TIME.
DUPLICATION OR DISTRIBUTION WITHOUT PERMISSION IS
PROHIBITED.

MAC MANUFACTURING INC.

UNLESS OTHERWISE SPECIFIED DIMENSIONS ARE IN INCHES
ANGLES ±2° FRACTIONS ±1/16 DECIMALS ±0.02

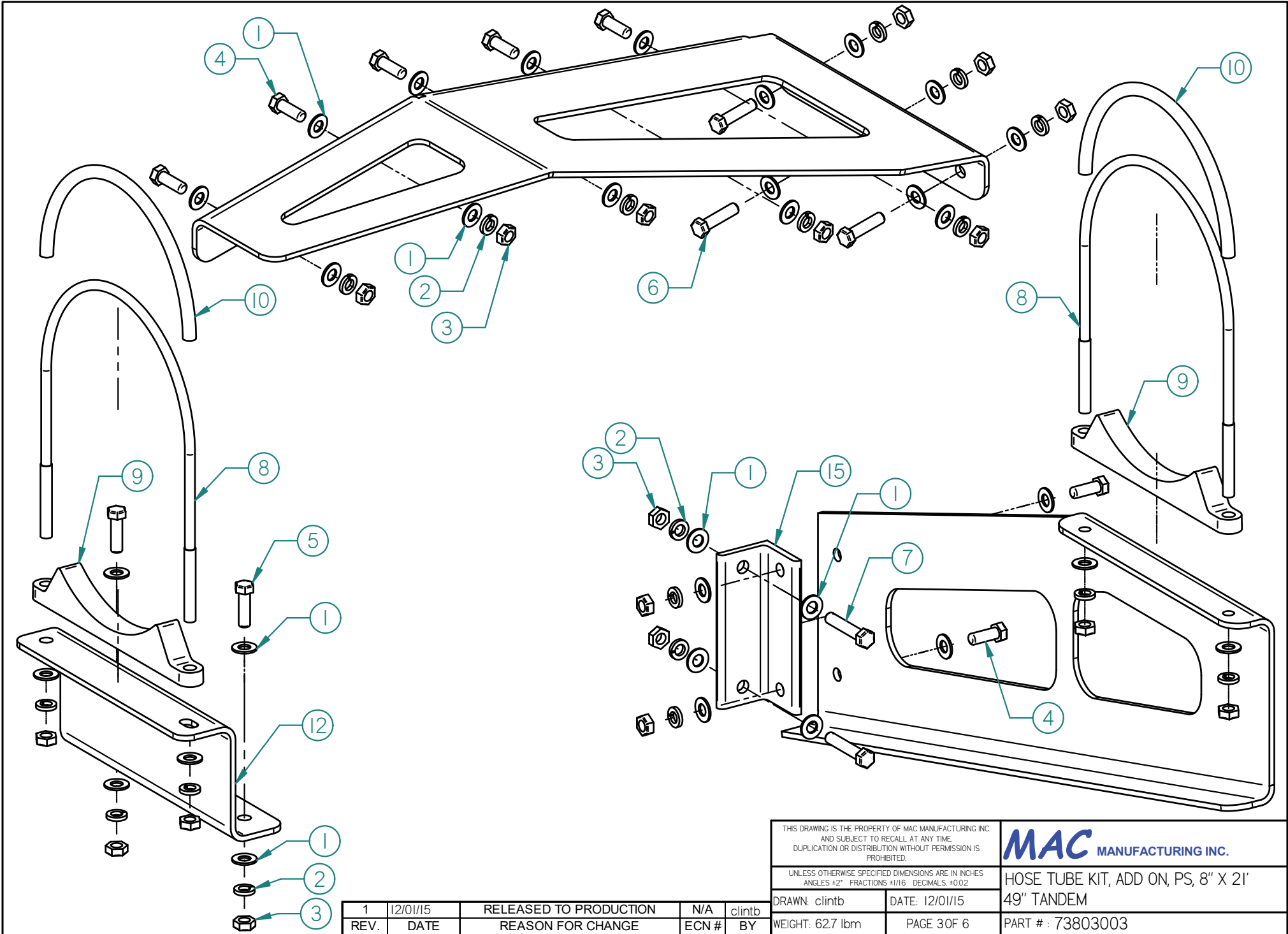
HOSE TUBE KIT, ADD ON, PS, 8" X 21'
49" TANDEM

1	12/01/15	RELEASED TO PRODUCTION	N/A	clintb
REV.	DATE	REASON FOR CHANGE	ECN #	BY

DRAWN: clintb
WEIGHT: 62.7 lbm

DATE: 12/01/15
PAGE 20F 6

PART # : 73803003



THIS DRAWING IS THE PROPERTY OF MAC MANUFACTURING INC.
 AND SUBJECT TO RECALL, AT ANY TIME.
 DUPLICATION OR DISTRIBUTION WITHOUT PERMISSION IS
 PROHIBITED.

MAC MANUFACTURING INC.

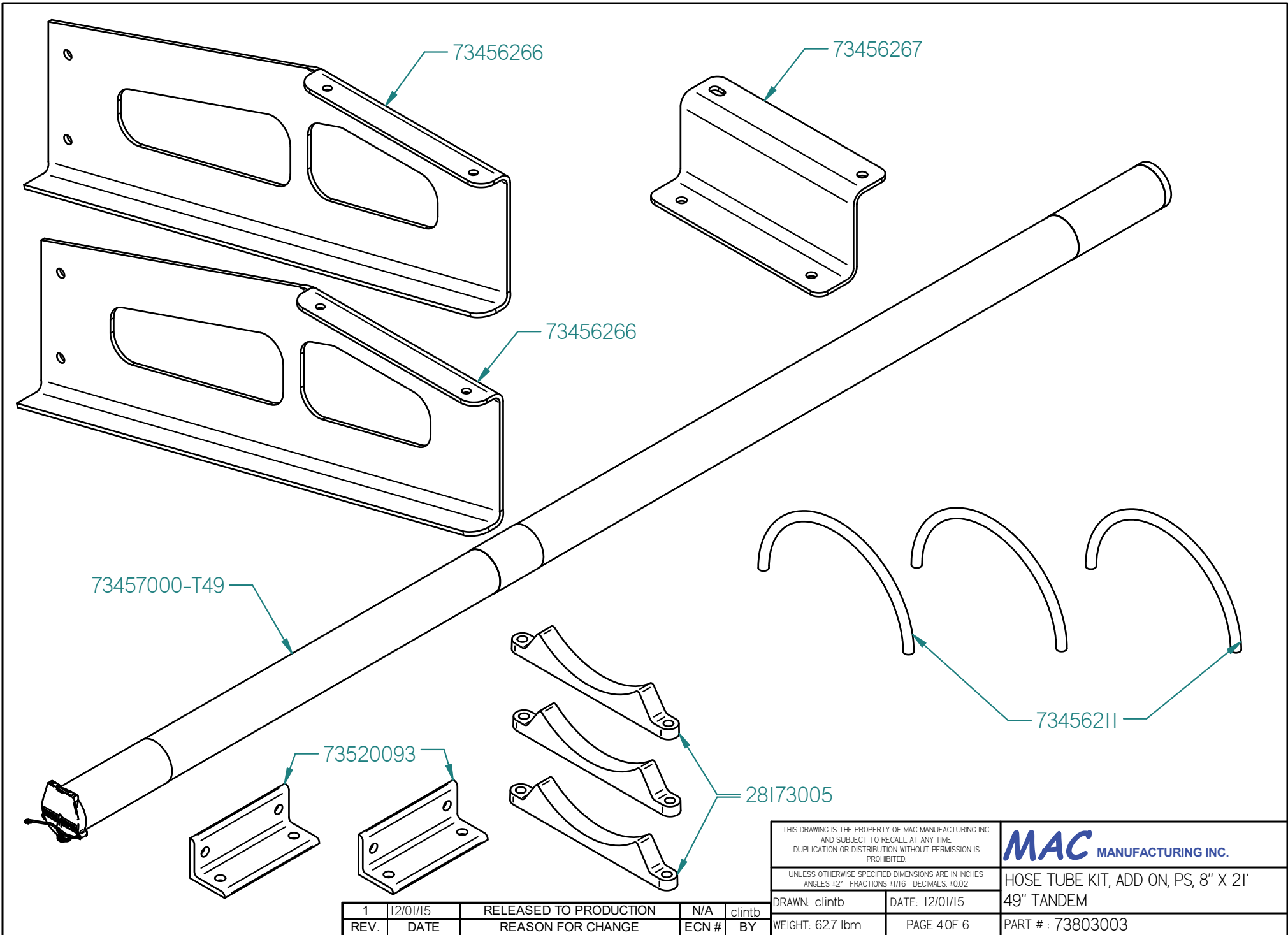
UNLESS OTHERWISE SPECIFIED DIMENSIONS ARE IN INCHES
 ANGLES ±2° FRACTIONS ±1/16" DECIMALS ±0.02

HOSE TUBE KIT, ADD ON, PS, 8" X 21'
 49" TANDEM

1	12/01/15	RELEASED TO PRODUCTION	N/A	clintb
REV.	DATE	REASON FOR CHANGE	ECN #	BY

DRAWN: clintb	DATE: 12/01/15
WEIGHT: 62.7 lbm	PAGE 30F 6

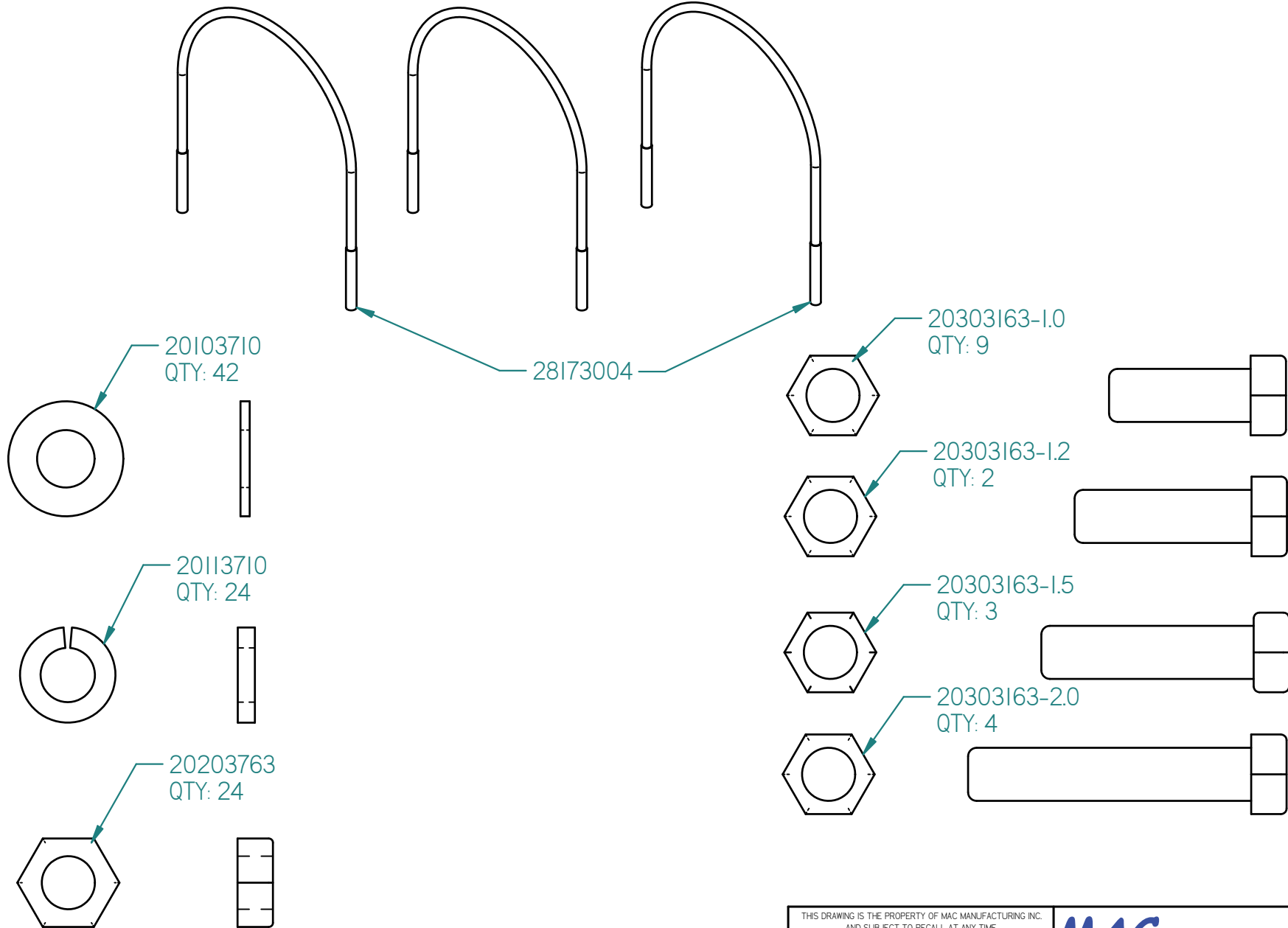
PART #: 73803003



1	12/01/15	RELEASED TO PRODUCTION	N/A	clintb
REV.	DATE	REASON FOR CHANGE	ECN #	BY

THIS DRAWING IS THE PROPERTY OF MAC MANUFACTURING INC. AND SUBJECT TO RECALL AT ANY TIME. DUPLICATION OR DISTRIBUTION WITHOUT PERMISSION IS PROHIBITED.	
UNLESS OTHERWISE SPECIFIED DIMENSIONS ARE IN INCHES ANGLES ±2° FRACTIONS ±1/16 DECIMALS ±0.02	
DRAWN: clintb	DATE: 12/01/15
WEIGHT: 62.7 lbm	PAGE 4 OF 6

MAC MANUFACTURING INC.
HOSE TUBE KIT, ADD ON, PS, 8" X 21' 49" TANDEM
PART #: 73803003



20103710
QTY: 42

20113710
QTY: 24

20203763
QTY: 24

28173004

20303163-1.0
QTY: 9

20303163-1.2
QTY: 2

20303163-1.5
QTY: 3

20303163-2.0
QTY: 4

THIS DRAWING IS THE PROPERTY OF MAC MANUFACTURING INC.
AND SUBJECT TO RECALL AT ANY TIME.
DUPLICATION OR DISTRIBUTION WITHOUT PERMISSION IS
PROHIBITED.

MAC MANUFACTURING INC.

UNLESS OTHERWISE SPECIFIED DIMENSIONS ARE IN INCHES
ANGLES ±2° FRACTIONS ±1/16 DECIMALS ±0.02

HOSE TUBE KIT, ADD ON, PS, 8" X 21'
49" TANDEM

1	12/01/15	RELEASED TO PRODUCTION	N/A	clintb
REV.	DATE	REASON FOR CHANGE	ECN #	BY

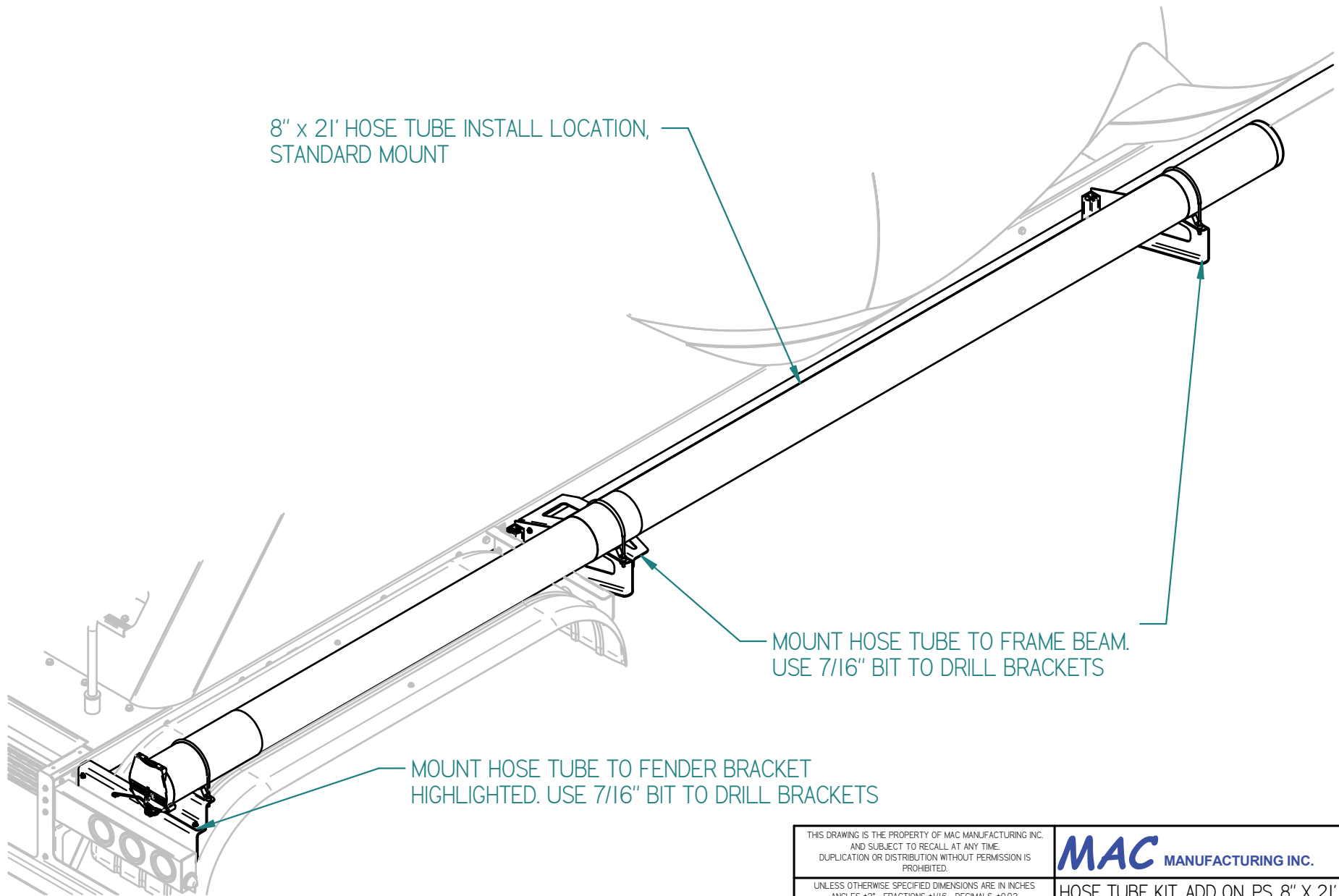
DRAWN: clintb

DATE: 12/01/15

WEIGHT: 62.7 lbm

PAGE 50F 6

PART # : 73803003



8" x 21' HOSE TUBE INSTALL LOCATION,
STANDARD MOUNT

MOUNT HOSE TUBE TO FRAME BEAM.
USE 7/16" BIT TO DRILL BRACKETS

MOUNT HOSE TUBE TO FENDER BRACKET
HIGHLIGHTED. USE 7/16" BIT TO DRILL BRACKETS

THIS DRAWING IS THE PROPERTY OF MAC MANUFACTURING INC.
AND SUBJECT TO RECALL AT ANY TIME.
DUPLICATION OR DISTRIBUTION WITHOUT PERMISSION IS
PROHIBITED.

MAC MANUFACTURING INC.

UNLESS OTHERWISE SPECIFIED DIMENSIONS ARE IN INCHES
ANGLES ±2° FRACTIONS ±1/16" DECIMALS ±0.02

HOSE TUBE KIT, ADD ON, PS, 8" X 21'
49" TANDEM

1	12/01/15	RELEASED TO PRODUCTION	N/A	clintb
REV.	DATE	REASON FOR CHANGE	ECN #	BY

DRAWN: clintb

DATE: 12/01/15

WEIGHT: 62.7 lbm

PAGE 60F 6

PART #: 73803003